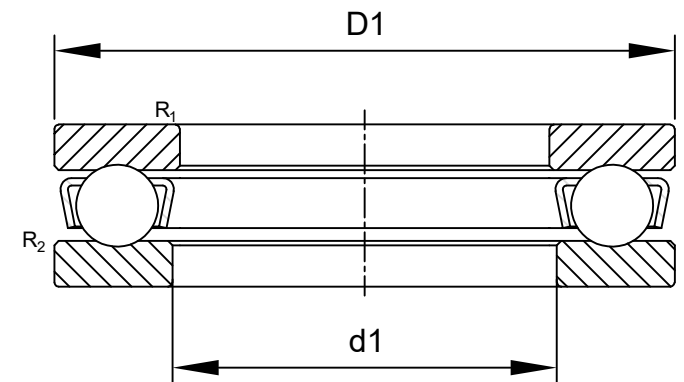
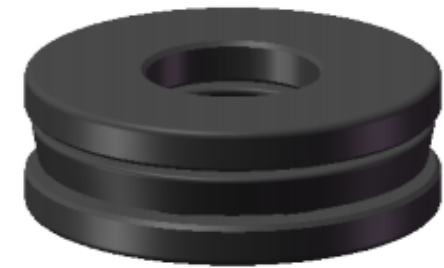


LILY BEARING



$R_{1,2}$  : min 1 mm Chamfer Dimension Washer

$d1$  :  $\approx 47$  mm Inner Dia Housing Washer

$D1$  :  $\approx 85$  mm Outside Dia Shaft Washer

**LILY**<sup>®</sup>

SHANGHAI LILY BEARING LIMITED

Email: [lilybearing@lily-bearing.com](mailto:lilybearing@lily-bearing.com)

Part  
Number

51309 Thrust Ball Bearings