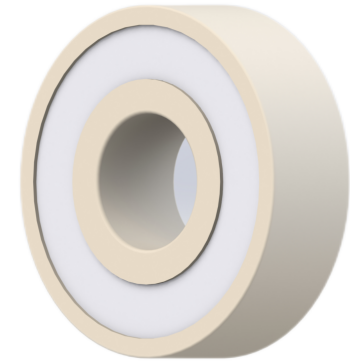


LILY BEARING



b:	25°	Contact Angle
R <sub>3,4</sub> :	min 0.15 mm	Chamfer Dimension
R <sub>1,2</sub> :	min 0.3 mm	Chamfer Dimension
D1:	33.1 mm	Shoulder Dia Of Outer Ring
d1:	29.1 mm	Shoulder Dia Of inner Ring
a:	10.8 mm	Distance From Side Face To Pressure Point

**LILY**<sup>®</sup>

SHANGHAI LILY BEARING LIMITED

Email: [lilybearing@lily-bearing.com](mailto:lilybearing@lily-bearing.com)

Part  
Number

CE71805ZRPP  
Ceramic Angular Contact Ball Bearings