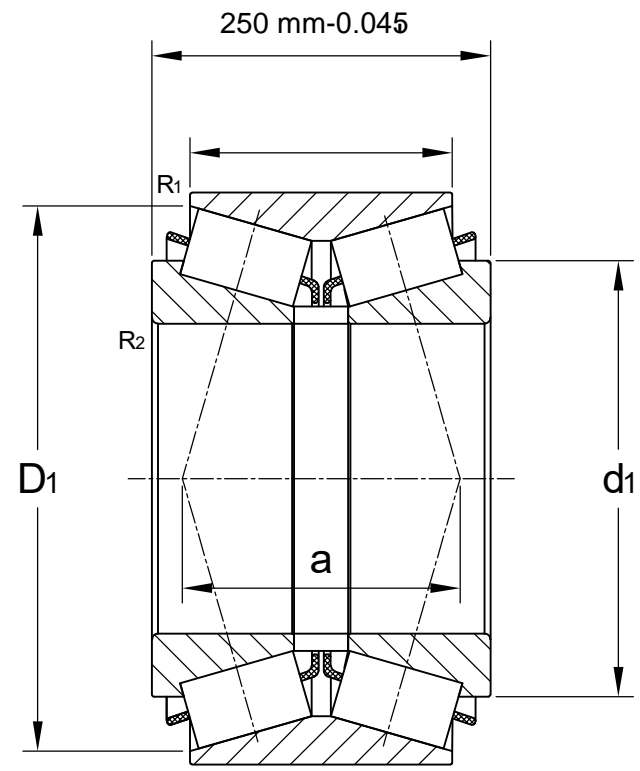
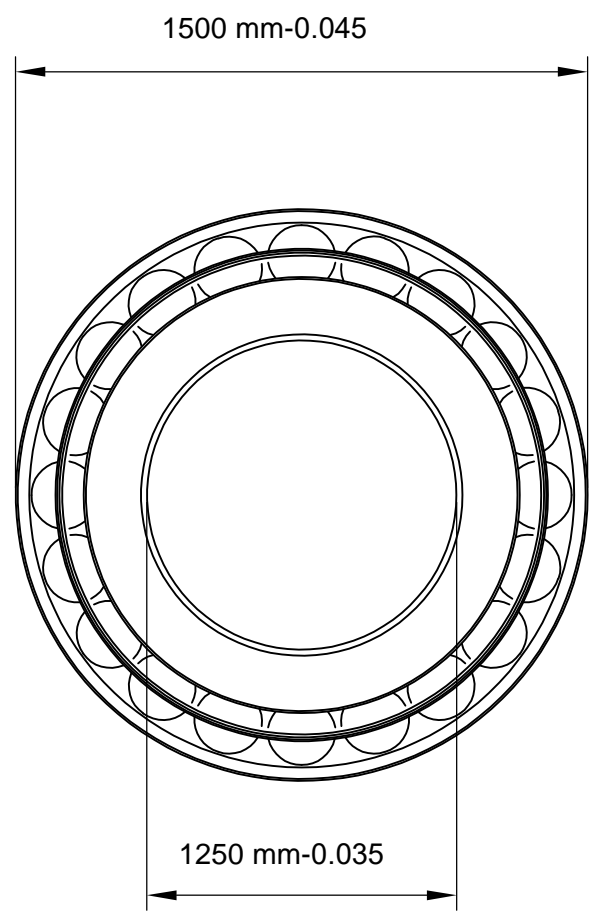
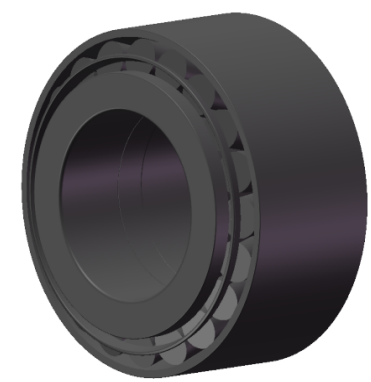


ϵ^m mm
310 $\frac{5}{1}mm$



LILY BEARING

- d1: 1355 mm Dia Of Shaft Abutment
- a: 438 mm Distance Between Pressure Point
- R1: 1.5 mm Chamfer Dimension Of Outer Rin
- R2: 6.0 mm Chamfer Dimension Of Inner Ring

LILY[®] SHANGHAI LILY BEARING LIMITED
Email: lilybearing@lily-bearing.com

Part Number BT2B-328339-HA4 Double row tapered roller bearin