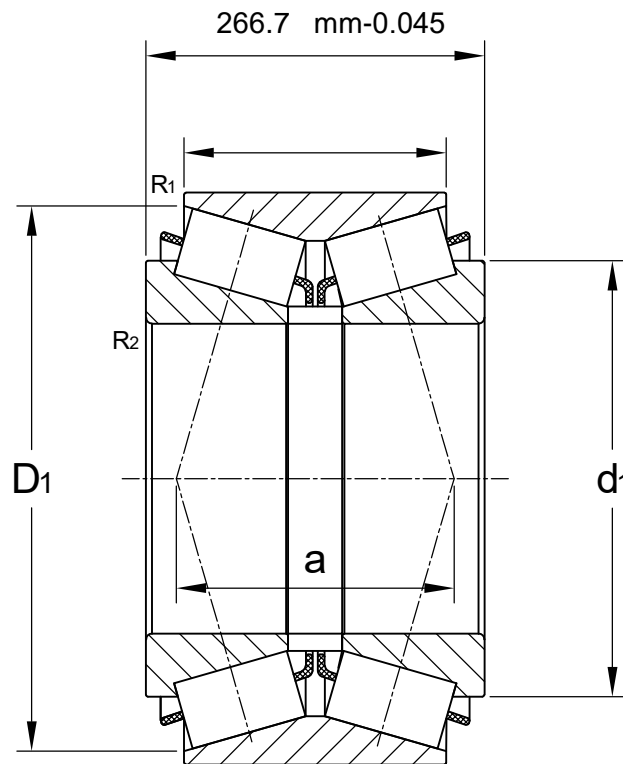
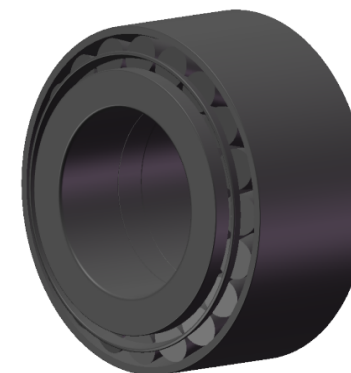


$\frac{m}{310} \frac{mm}{mm}$



LILY BEARING



- d1: 880 mm Dia Of Shaft Abutment
- a: 321 mm Distance Between Pressure Point
- R1: 2.5 mm Chamfer Dimension Of Outer Rin
- R2: 8.0 mm Chamfer Dimension Of Inner Ring

**LILY**<sup>®</sup>

SHANGHAI LILY BEARING LIMITED

Email: [lilybearing@lily-bearing.com](mailto:lilybearing@lily-bearing.com)

Part  
Number

BT2B-332625 Double row tapered roller bearin