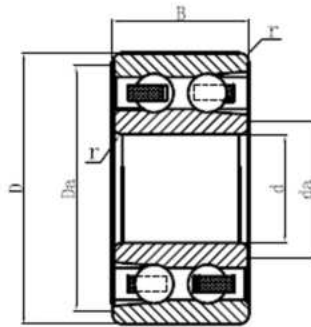


Bearings

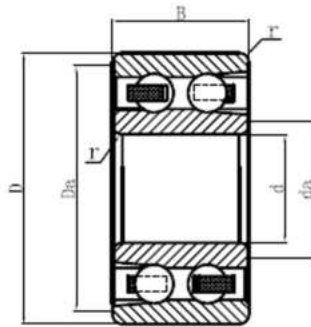
Double Row Deep Groove Ball Bearings
(4200&4300 series)



LB



Bearing Number	Bore Dia (d)	Outer Dia (D)	Width (B)	Dynamic Load Rating (Cr) (KN)	Static Load Rating (Cor) (KN)	Max Speed (Grease) (X1000 RPM)	Max Speed (Oil) (X1000 RPM)
4200	10 mm	30mm	14mm	7.7	5.9	15	20
4201	12 mm	32mm	14mm	7.75	6.15	14	18
4202	15 mm	35mm	14mm	9.75	9	12	16
4203	17 mm	40mm	16mm	11.7	10.4	11	14
4204	20 mm	47mm	18mm	16.4	16	9	12
4205	25 mm	52mm	18mm	16.3	16.9	7.5	9.9
4206	30 mm	62mm	20mm	22	24.7	6.4	8.5
4207	35 mm	72mm	23mm	26.4	30.7	5.6	7.4
4208	40 mm	80mm	23mm	33.7	42.4	4.7	6.3
4209	45 mm	85mm	23mm	31.9	43.9	4.6	6.1
4210	50 mm	90mm	23mm	31.4	44.6	4.2	5.6
4211	55 mm	100mm	25mm	37.2	54.1	3.8	5
4212	60 mm	110mm	28mm	47.9	67.6	3.5	4.7
4213	65 mm	120mm	31mm	54.7	78.5	3.2	4.3
4214	70 mm	125mm	31mm	62.1	89.8	3.1	4.1
4215	75 mm	130mm	31mm	61.6	90.7	2.9	3.9



Bearing Number	Bore Dia (d)	Outer Dia (D)	Width (B)	Dynamic Load Rating (Cr) (KN)	Static Load Rating (Cor) (KN)	Max Speed (Grease) (X1000 RPM)	Max Speed (Oil) (X1000 RPM)
4302	15 mm	42mm	17mm	13.1	11.7	11	14
4303	17 mm	47mm	19mm	16.5	15	9.4	13
4304	20 mm	52mm	21mm	19.5	17	8.3	11
4305	25 mm	62mm	24mm	26.3	25.7	6.7	9
4306	30 mm	72mm	27mm	35.5	35.9	5.7	7.6
4307	35 mm	80mm	31mm	40.6	41.8	5.2	7
4308	40 mm	90mm	33mm	46	48.8	4.6	6.1
4309	45 mm	100mm	36mm	57.6	62.4	4.1	5.5
4310	50 mm	110mm	40mm	70.4	77.7	3.7	5
4311	55 mm	120mm	43mm	84.2	94.4	3.4	4.6
4312	60 mm	130mm	46mm	99.2	113	3.1	4.2
4313	65 mm	140mm	48mm	107	124	2.9	3.9
4314	70 mm	150mm	51mm	115	136	2.7	3.6
4315	75 mm	160mm	55mm	132	158	2.5	3.4